

23 - Body/Door - Front/PLATE, Carrier/Removal and Installation

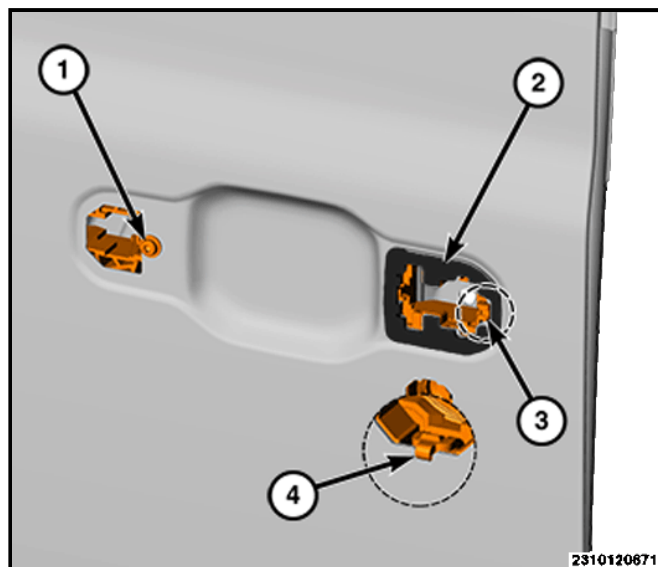
REMOVAL AND INSTALLATION

🔧 Labor Operations: Click to display a list of Labor Operations associated with this procedure

REMOVAL

1. Remove the exterior handle (Refer to 23 - Body/Door - Front/HANDLE/Removal and Installation) .
2. Remove the lock cylinder if equipped, (Refer to 23 - Body/Door - Front/CYLINDER, Door Lock/Removal and Installation) .

3. Remove the handle gasket (2).
4. Loosen the exterior handle support screw (1) but do not remove it.
5. Release the bracket hook (3) from the outer panel and slide the handle bracket forward.

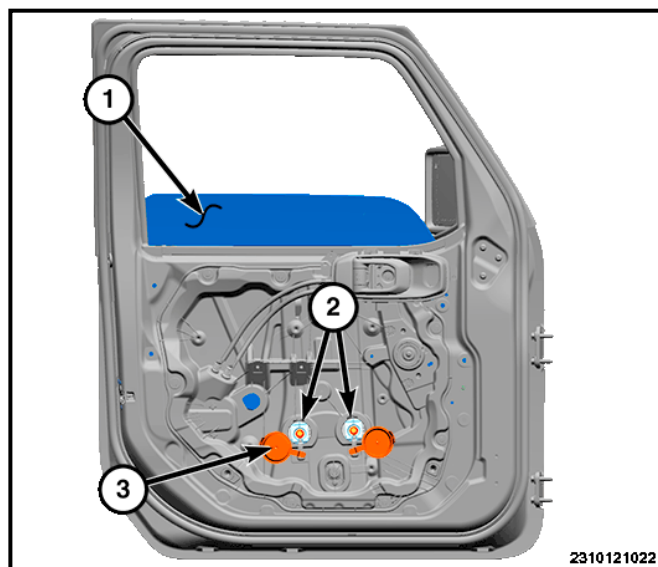


6. Remove the front door trim panel (Refer to 23 - Body/Door - Front/PANEL, Door Trim/Removal and Installation) .

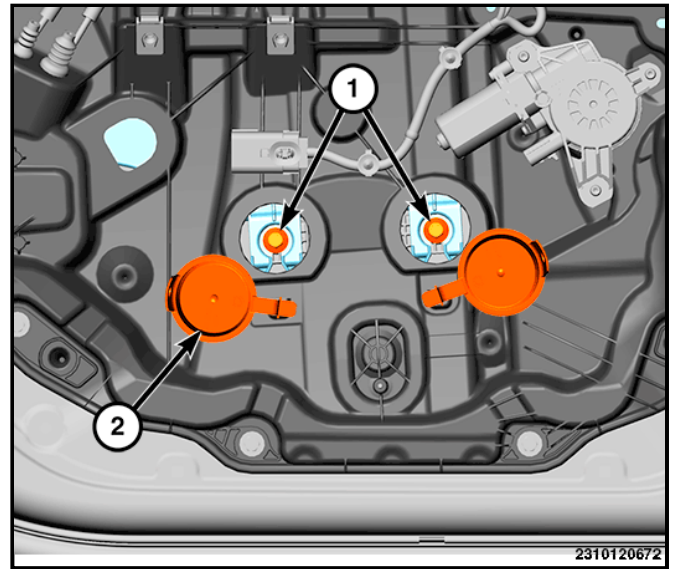
7. Open the access plugs (3) and position aside.

8. Temporarily install the window switch, connect the negative battery cable and lower the window (1) until the glass fasteners are visible in both access holes (2).

9. Remove the window switch assembly and disconnect and isolate the negative battery cable.

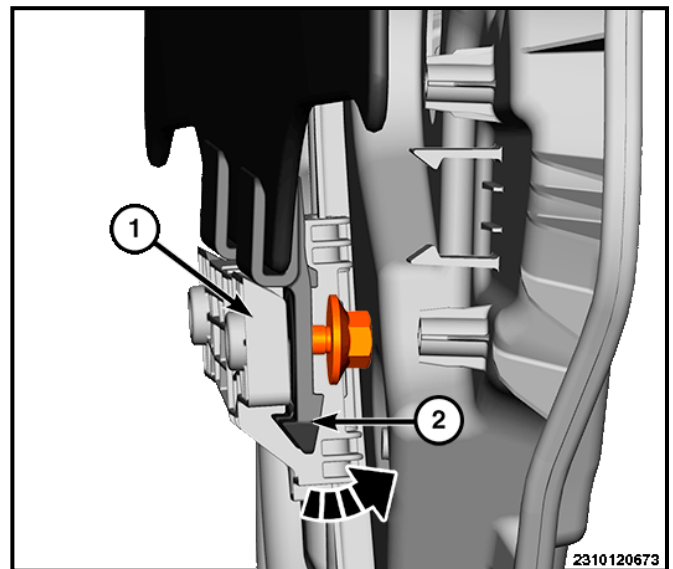


10. Remove the glass fasteners (1).

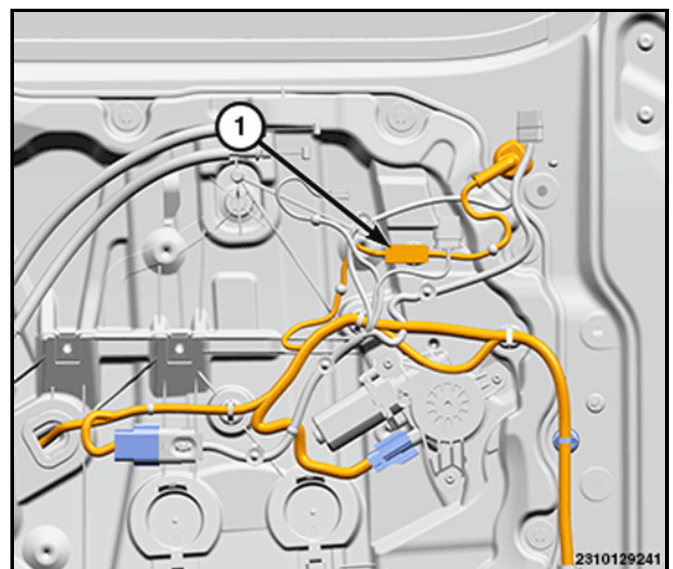


11. Using a hook-type tool or equivalent, release the lower glass tabs (2) from the regulator lift plates (1).

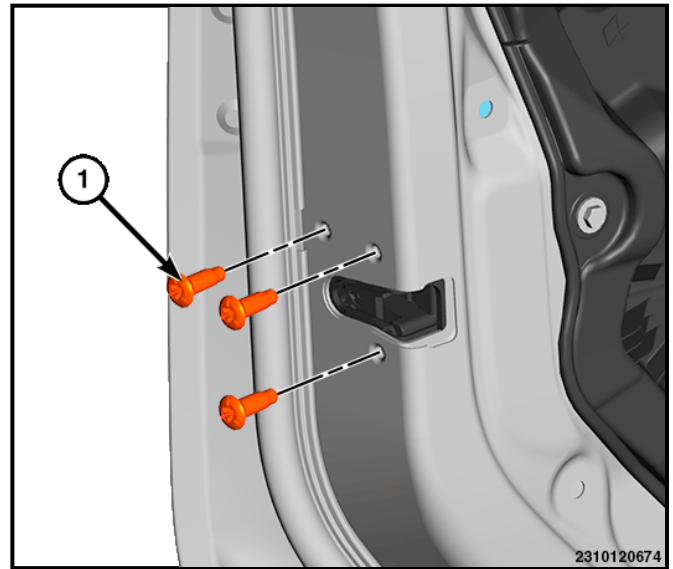
12. Secure the window glass into place with a wedge or tape.



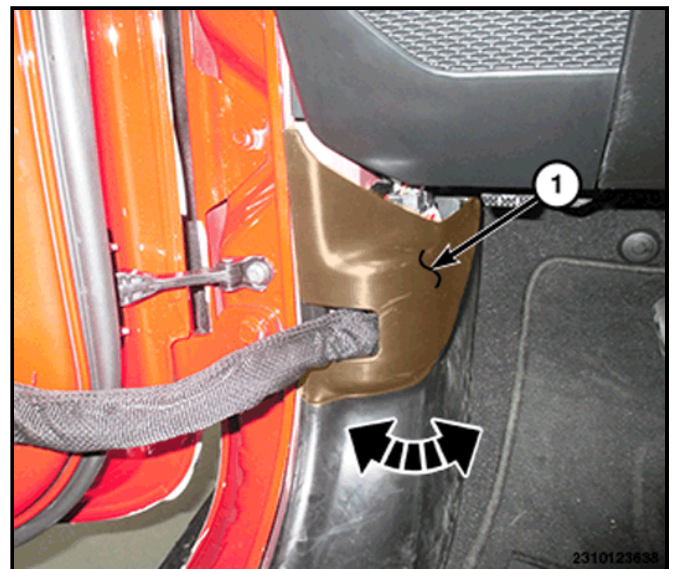
13. Disconnect the power mirror wire harness connector (1).



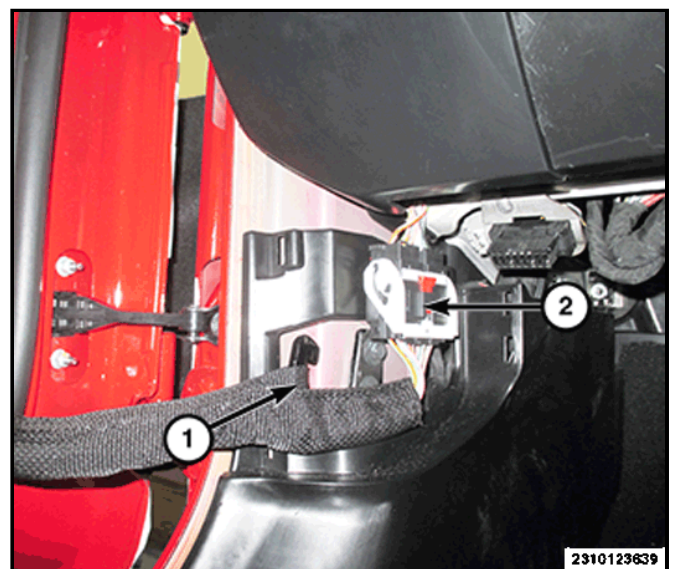
14. Remove the front door latch mounting screws (1).



15. Using a trim stick, release and remove the cowl trim cover (1).

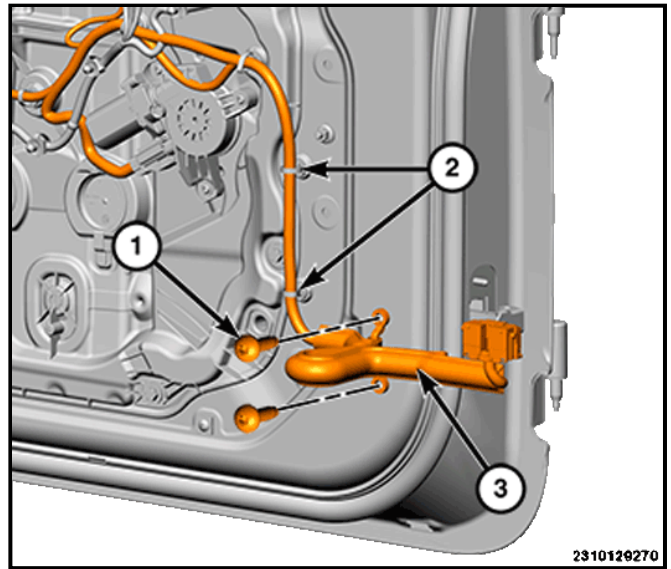


16. Disconnect the wire harness connector (2) and release the wire harness from the support bracket (1).

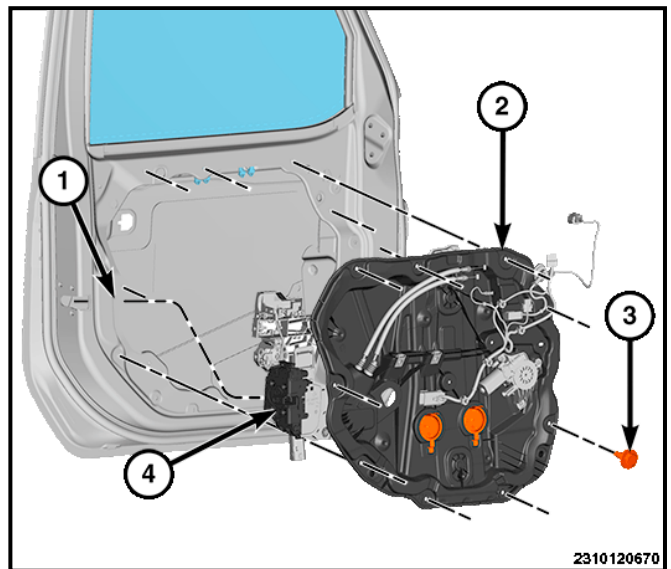


17. Release the harness support clips (2).

18. Remove screws (1) the front door wire harness (3) bracket from the front of the door.

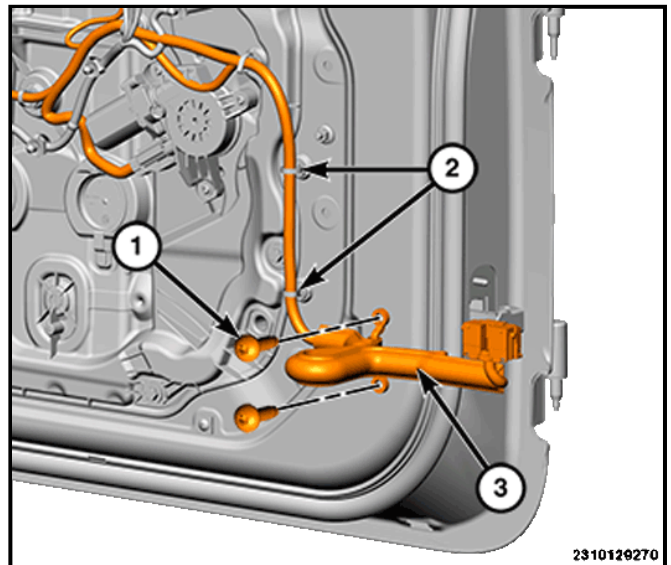


19. Remove the nine bolts (3) and separate the carrier plate assembly (2) from the door.
20. Move the assembly (2) forward in the door and remove the latch assembly (4) from the door interior (1) and remove the carrier plate.

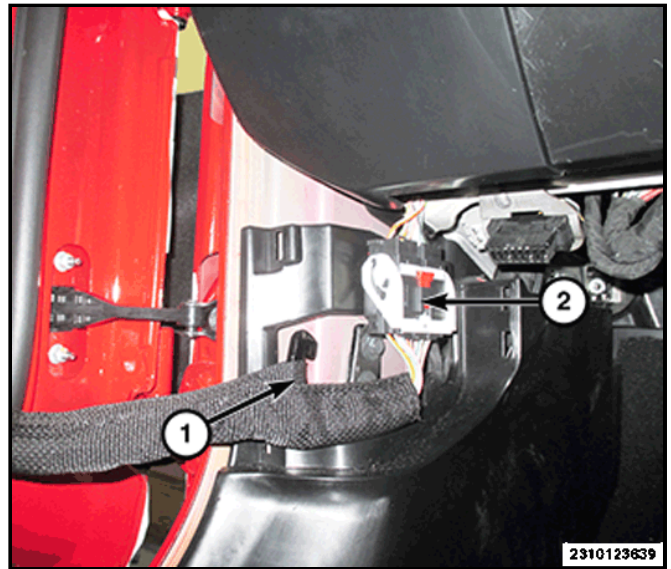


INSTALLATION

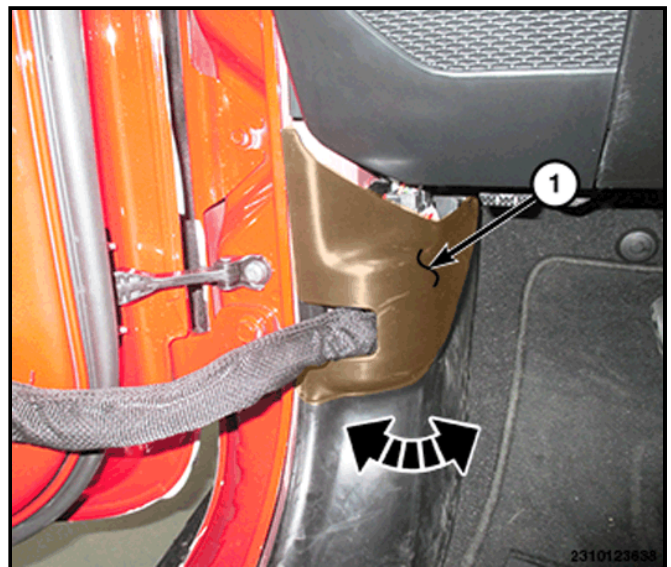
1. Position the latch assembly (4) back into the door cavity (1) and install the carrier plate assembly (2).
2. Install the nine bolts (2) and tighten to the proper (Torque Specifications) .
3. Install the wire harness (3) support bracket onto the door and install the screws (1).
4. Seat the support clips (2) fully.



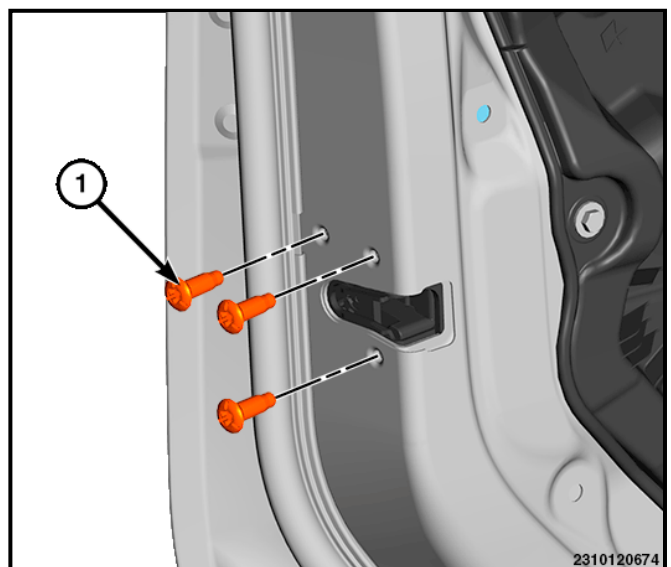
5. Secure the wire harness strap over the footman's loop (1) and connect the wire harness connector (2).



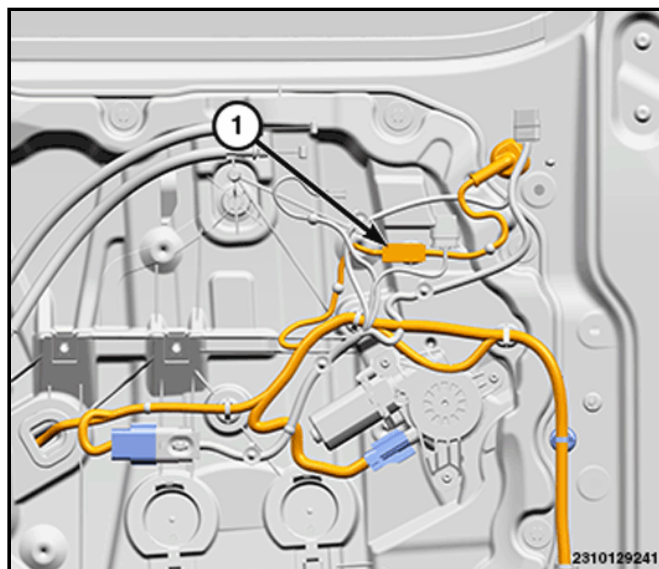
6. Install the cowl trim cover (1) and seat fully.



7. Install the door latch bolts (1) and tighten to the proper (Torque Specifications) .

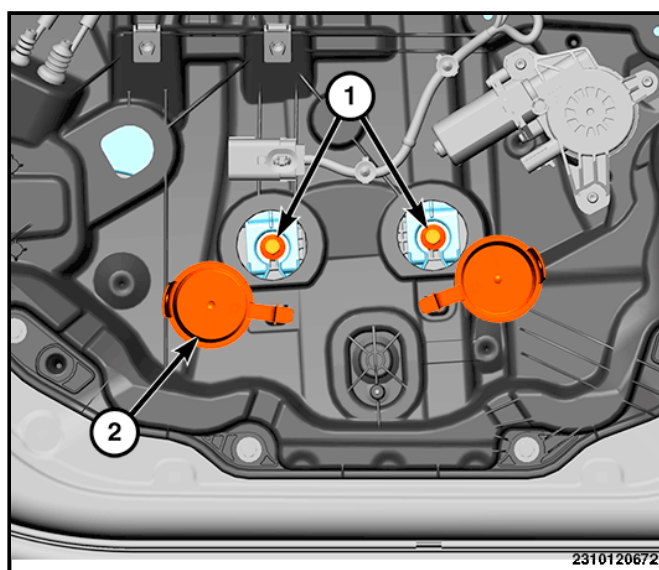


8. Connect the power mirror wire harness connector (1).

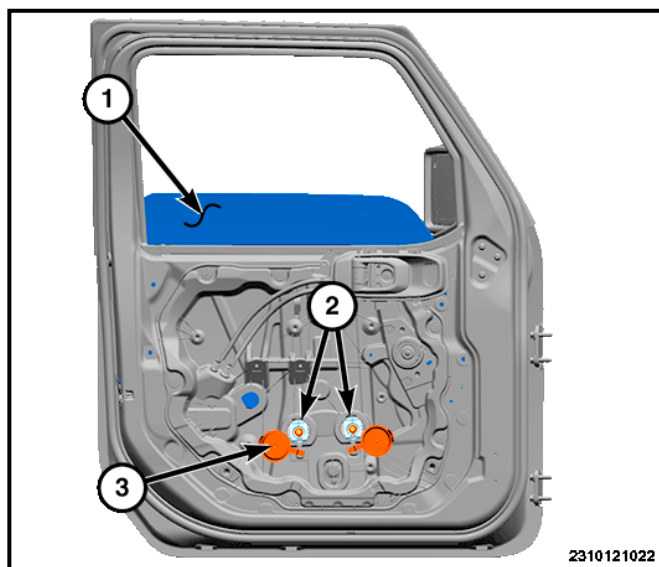


9. Position the door glass and secure it to the window regulator glass sliders, making sure the glass and lift plates are properly seated.

10. Install the glass fasteners (1) and tighten to the proper (Torque Specifications) .

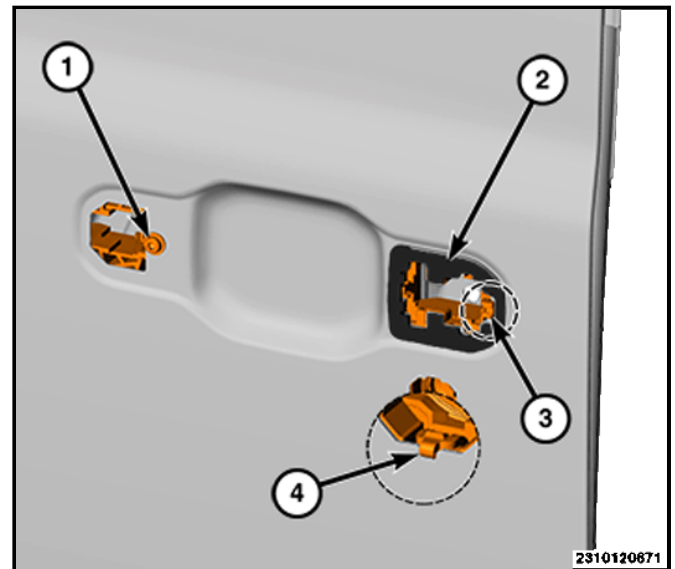


11. Position the access plugs (3) back into place and seat fully.



12. Install the front door trim panel (Refer to 23 - Body/Door - Front/PANEL, Door Trim/Removal and Installation) .

13. Engage the screw (1) into the slot of the outer panel and engage the hook (3) over the edge of the outer panel.
14. Engage the 2nd hook (4) onto the outer panel at the key cylinder hole.
15. While pushing the hook (3) rearward, tighten the exterior handle support screw (1) to the proper ([Torque Specifications](#)) .
16. Install the gasket (2).



17. Install the lock cylinder if equipped, ([Refer to 23 - Body/Door - Front/CYLINDER, Door Lock/Removal and Installation](#)) .
18. Install the exterior handle ([Refer to 23 - Body/Door - Front/HANDLE/Removal and Installation](#)) .